

Air-Table — design Jasper Morrison, 2001



Designer in Magis

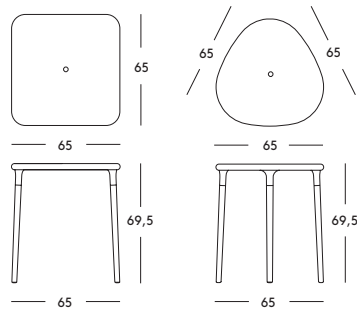


magisdesign.com

Air-Table — design Jasper Morrison, 2001
Technical Sheet

Stacking and knock-down tables

Material: polypropylene with glass fibre added. Air-moulded. Suitable for outdoor use. Magis logo is stamped on each product of our collection vouching for their originality



Matt colour
Beige 1450 C

Matt colour
White 1730 C

FATIGUE, LOAD AND IMPACT TESTS

ANSI/BIFMA X5.5-2008
Concentrated load EN 581-3/1999
Horizontal fatigue test EN 581-3/1999
Non-domestic seating. Safety requirements EN 581-1/974
Stability EN 581-3/1999



magisdesign.com

Designer



Jasper Morrison

Jasper Morrison was born in London in 1959 and after graduating in Design and passing a master, he set up an Office for Design in London in 1986.

Today Jasper Morrison Ltd. consists of three design offices, a main office in London and two branch offices: one in Paris (opened 2002) and one in Tokyo (opened 2007) ranging from the project of furniture to tableware and kitchen products, to lighting, electronics and appliance design, designs for public space and more recently watches, clocks & shoes.

